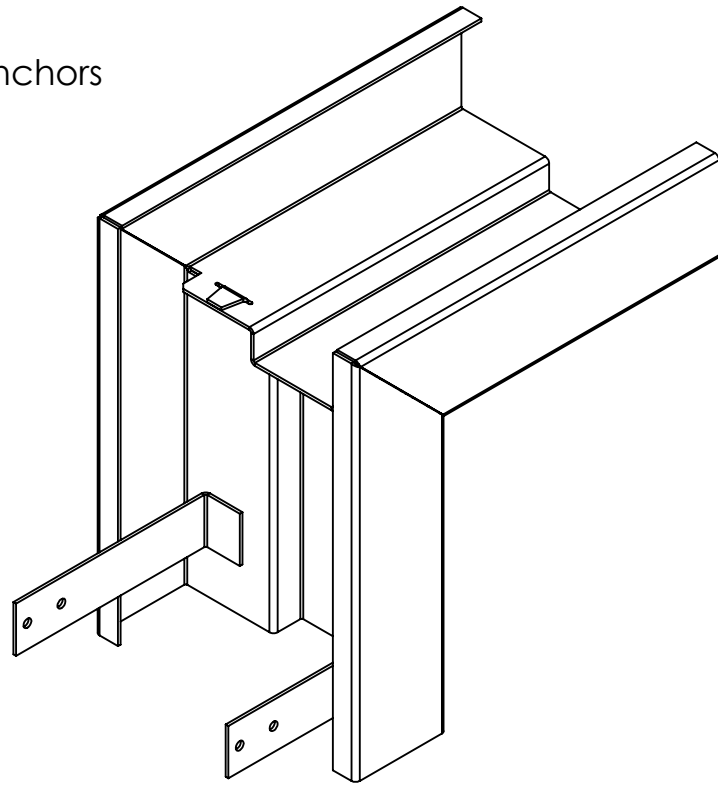


Anchors

Wood Strap Anchors

Min 22 Gauge



Spot weld to Rabbet
(1 spotweld per anchor)

